



CQD16RVF/CQD16RV
CQD16RVH/
CQD20RVF/CQD20RV

APILADOR ELECTRICO RETRACTIL CON ASIENTO DE CONDUCTOR 1.6/2.0T

- La altura de apilamiento de hasta 12M permite realizar pedidos por orden; en posición alta con gran intensidad;
- Componentes de calidad internacional;
- Diseño ergonómico cómodo y eficiente.

EDTSA GROUP SAC
www.edtsagroup.com.pe



APILADOR ELECTRICO RETRACTIL 1.6/2.0T

CQD16RVF/CQD16RV/CQD16RVH/ CQD20RVF/CQD20RV

Distinguishing mark				
1.1	Manufacturer			EP
1.2	Model designation		CQD16RVF CQD16RV CQD16RVH CQD20RVF CQD20RV	
1.3	Drive unit			Battery
1.4	Operator type			Seated
1.5	rated capacity	Q	t	1.6 2
1.6	Load center distance	c	mm	600
1.9	Wheelbase	y	mm	1454 ^① 1524 ^①
Weight				
2.1	Service weight (include battery)		kg	2940 ^② 2945 ^②
2.2	Axle loading, fork advanced, unladen driving side/loading side		kg	1700/1310
2.3	Axle loading, fork retracted, unladen driving side/loading side		kg	1990/1020
2.4	Axle loading, fork advanced, laden driving side/loading side		kg	820/3820
2.5	Axle loading, fork retracted, laden driving side/loading side		kg	1640/3000
Types, Chassis				
3.1	Tyre type driving wheels/loading wheels			Polyurethane
3.2	Tyre size, driving wheels (diameter×width)		mm	Φ343×140
3.3	Tyre size, loading wheels (diameter×width)		mm	Φ310×118 ^④
3.4	Tyre size, caster wheels (diameter×width)		mm	Φ102×51 ^⑤
3.5	Wheels, number driving, caster/loading (x=drive wheels)			1x, 2 ^⑥
3.6	Track width, front, driving wheels	b10	mm	0
3.7	Track width, rear, loading wheels	b11	mm	1148 ^④
Dimensions				
4.1	Tilt of mast/fork carriage forward/backward	α/ β	°	2/4
4.2	Height, mast lowered	h1	mm	2130 ^③
4.3	Free lift (load backrest)	h2	mm	120 ^③
4.4	Lift height	h3	mm	3000 ^③
4.5	Height, mast extended	h4	mm	4065 ^③
4.7	Height of overhead guard (cabin)	h6	mm	2210
4.8	Seat height/standing height	h7	mm	1200
4.10	Height of wheel arms	h8(mm)	mm	330
4.19	Overall length (minimum)	l1	mm	2470 ^①
4.20	Length to face of forks	l2	mm	1400 ^①
4.21	Overall width	b1/ b2	mm	1260/1270 ^④
4.22	Fork dimensions	s/ e/ l	mm	40×100×1070 40×120×1070
4.23	Fork carriage class/type A, B		mm	A
4.24	Fork carriage width	b3	mm	990
4.25	Outside width of the forks	b5	mm	200/770 240/770
4.26	Distance between wheel arms/loading surfaces	b4	mm	915
4.28	Reach distance	l4	mm	520 ^①
4.31	Ground clearance, laden, below mast	m1	mm	70
4.32	Ground clearance, center of wheelbase	m2	mm	20 ^④
4.34.1	Aisle width for pallets 1000 × 1200 crossways	Ast	mm	2827 ^① 2842 ^①
4.34.2	Aisle width for pallets 800 × 1200 lengthways	Ast	mm	2891 ^① 2893 ^①
4.35	turning radius	Wa	mm	1705 ^① 1770 ^①
4.37	Length across wheel arms (exclusive fork)	l7	mm	1865 ^① 1935 ^①
Performance data				
5.1	Travel speed, laden/ unladen		km/ h	10/11 9/9.5
5.2	Lifting speed, laden/ unladen		m/ s	0.45/0.52 0.40/0.45
5.3	Lowering speed, laden/ unladen		m/ s	0.45/0.38 0.44/0.40
5.4	Reaching speed, laden / unladen		m/ s	0.1/0.1
5.8	Max. gradeability, laden/unladen		%	10/15
5.10	Service brake type			Electromagnetic
	Park brake type			Electromagnetic
Electric-engine				
6.1	Drive motor rating S2 60 min		kW	6.4
6.2	Lift motor rating at S3 15%		kW	11 8.6 13
6.3	The maximum allowed size battery		mm	1220×355×778 1220×427×778
6.4	Battery voltage/nominal capacity K5		V/ Ah	48/500 ^④ 48/400 ^④ 48/500 ^④
6.5	Battery weight		kg	925 ^④ 745 ^④ 925 ^④
Addition data				
8.1	Type of drive unit			AC
10.5	Steering type			Electronic
10.7	Sound pressure level at the driver's ear		dB (A)	75

- ①、②、③、④、⑤、⑥ in the parameters is optional configuration, Please see the corresponding schedule;
- ③ in the CQD20 parameters, When mast lifting height $h_3 \geq 10m$, tyre size of loading wheels for $\Phi 310 \times 208mm$, loading wheels track width for 1238mm, Overall width for 1260/1450mm, center of wheelbase at ground clearance for 20mm.
- ④ in the CQD16 parameters, with two caster wheels and size for $\Phi 102 \times 51mm$ When mast lifting height $h_3 \geq 8m$;
- ⑤ in the CQD20 parameters, with two caster wheels and size for $\Phi 102 \times 51mm$ When mast lifting height $h_3 < 10m$.

If there are improvements of technical parameters or configurations, no further notice will be given.

The diagram shown may contain non-standard configurations.

③Mast

CQD16RVH 2-stage mast:

Lift height	Lowered mast height	Free lift	Extended mast height
h3	h1	h2	h4
2700	1980	120	3765
3000	2130	120	4065
3300	2280	120	4365
3640	2450	120	4705
4000	2630	120	5065
4300	2780	120	5365
4520	2960	160	5585
5000	3200	160	6065
5480	3460	160	6545
6000	3720	160	7065

Note: (*) for without backrest

CQD16-20RV(F) 2-stage mast:

Lift height	Lowered mast height	Free lift	Extended mast height
h3	h1	h2	h4
2700	1980	120	3765
3000	2130	120	4065
3300	2280	120	4365
3640	2450	120	4705
4000	2630	120	5065
4300	2780	120	5365
4520	2960	160	5585
5000	3200	160	6065
5480	3460	160	6545
6000	3720	160	7065

Note: (*) for without backrest

CQD16RVH 3-stage mast (≤6500mm):

Lift height	Lowered mast height	Free lift	Extended mast height
h3	h1	h2	h4
4050	1980	915	5115
4500	2130	1065	5565
5000	2280	1215	6065
5500	2450	1385	6665
6000	2630	1565	7365
6500	2780	1715	8065

Note: (*) for without backrest

CQD16-20RV(F) 3-stage mast (≤7500mm):

Lift height	Lowered mast height	Free lift	Extended mast height
h3	h1	h2	h4
4050	1980	915	5115
4500	2130	1065	5565
5000	2280	1215	6065
5500	2450	1385	6665
6000	2630	1565	7365
6500	2780	1715	8065
7000	3050	1985	8865
7500	3220	2155	9665

Note: (*) for without backrest

CQD20RV(F) 3-stage mast (≥10000mm):

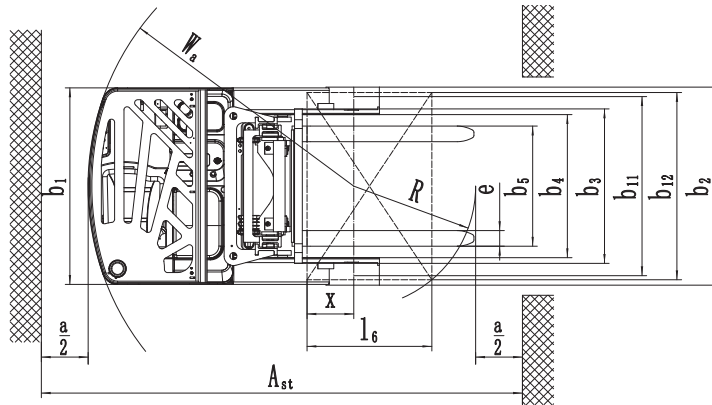
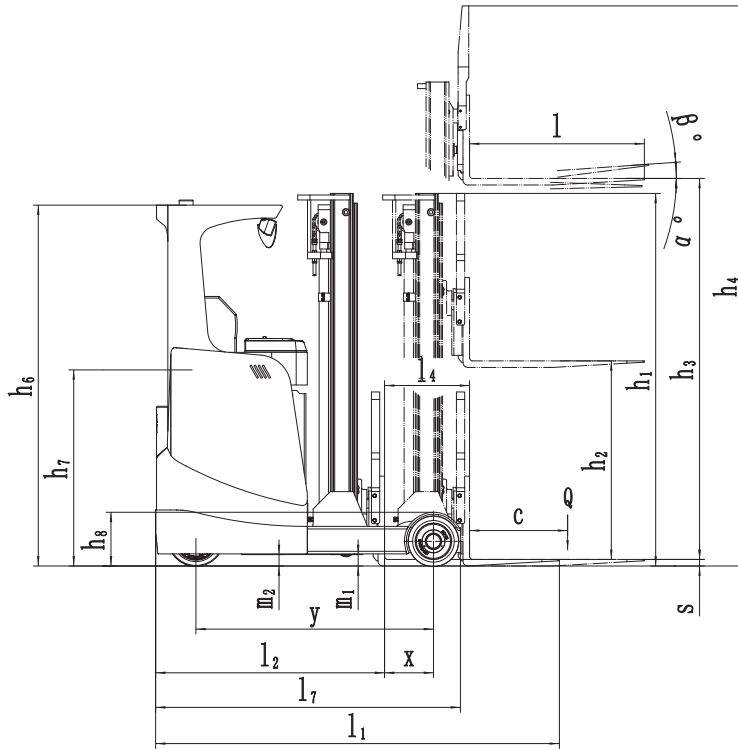
Lift height	Lowered mast height	Free lift	Extended mast height
h3	h1	h2	h4
10000	4160	3095	11065
10500	4330	3265	11565
11000	4490	3425	12065
11500	4660	3595	12565
12000	4820	3755	13065

Note: (*) for without backrest

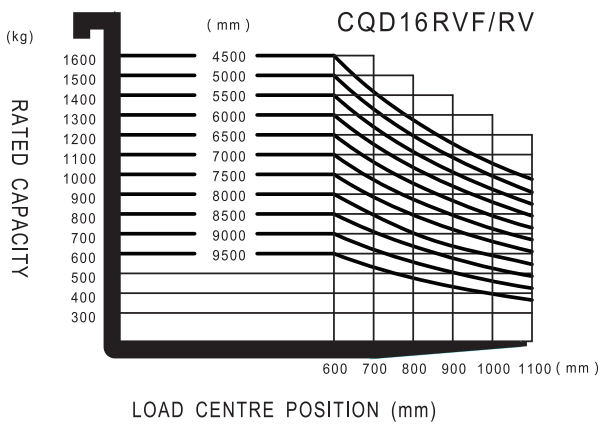
CQD16-20RV(F) 3-stage mast (8000mm≤h3≤9500mm):

Lift height	Lowered mast height	Free lift	Extended mast height
h3	h1	h2	h4
8000	3390	2325	2800
8500	3610	2545	3020
9000	3770	2705	3150
9500	3940	2875	3340

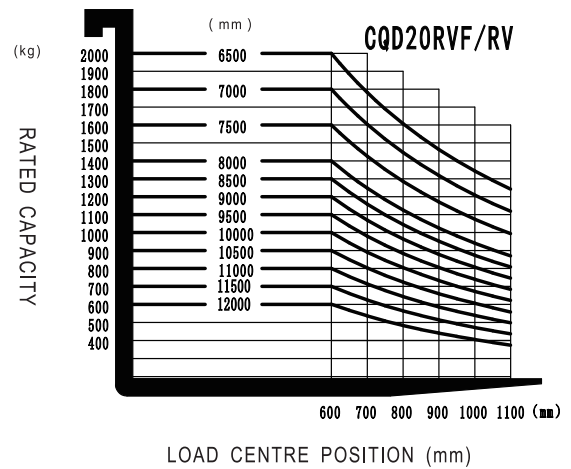
Note: (*) for without backrest



RATED CAPACITIES GRAPH



RATED CAPACITIES GRAPH





Option

Options	CQD16RVF	CQD16RV	CQD16RVH	CQD20RVF	CQD20RV
Driving pedal	—	—	—	—	—
Electronic Power steering	●	●	●	●	●
Battery capacity	●500Ah ○400/600/700/750Ah	●500Ah ○400/600/700/750Ah	●400Ah ○500/600/700/750Ah	●500Ah ○400/600/700/750Ah	●500Ah ○400/600/700/750Ah
Lithium Battery capacity	○360Ah	○360Ah	○360Ah	○360Ah	○360Ah
Lateral change battery	○	○	○	○	○
Cold storage	○	○	○	○	○
Side shift	●	●	●	●	●
Front light and warning light	●	●	●	●	●
Rearview mirror	●	●	●	●	●
Hummer	○	○	○	○	○
Height display	●	—	—	●	—
Camera	○	○	○	○	○
Fire extinguisher	○	○	○	○	○
The front wheel side guard	○	○	○	○	○
Drive-in Rack	○	○	○	○	○
Seat switch	●	●	●	●	●
Water auto-fillingsystem					

Note: ● standard ○ option — NA